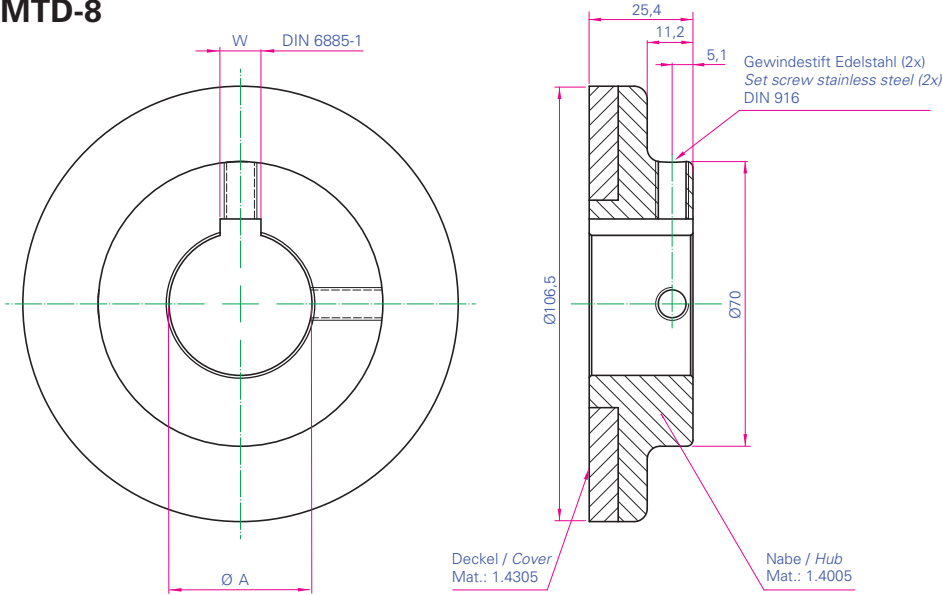


MTD-8

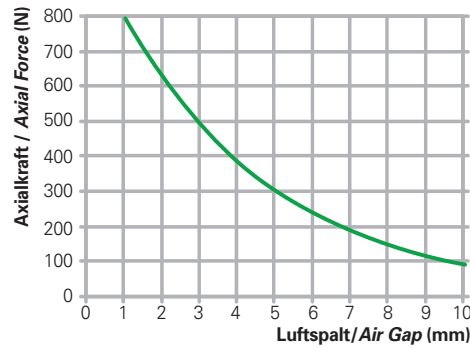
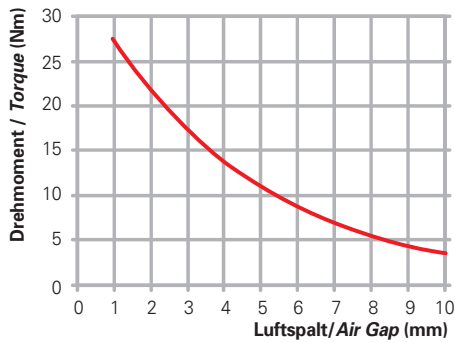


Technische Daten
Technical Specifications

| Typ Type | Max. Geschw Speed (rpm) | Gewicht pro Hälfte Weight per Hub (kg) |
|--------------|-------------------------------|--|
| MTD-8 | 10600 | 1,2 |

| Typ Type | Bohrung Bore Ø A (mm) | Passfeder Keyway W (mm) | Gewindestift Set Screw |
|-----------------|-----------------------------|-------------------------------|---------------------------|
| MTD-8-14 | 14H7 | 5 | M5 |
| MTD-8-16 | 16H7 | 5 | M5 |
| MTD-8-18 | 18H7 | 6 | M5 |
| MTD-8-20 | 20H7 | 6 | M5 |
| MTD-8-22 | 22H7 | 6 | M5 |
| MTD-8-25 | 25H7 | 8 | M8 |
| MTD-8-30 | 30H7 | 8 | M8 |
| MTD-8-35 | 35H7 | 10 | M8 |

Leistungsdaten
Performance Data
MTD-8



| Luftspalt Air Gap mm | Drehmoment Torque Nm | Axialkraft Axial Force N |
|----------------------------|----------------------------|--------------------------------|
| 1 | 27,72 | 807 |
| 2 | 21,87 | 649 |
| 3 | 17,28 | 497 |
| 4 | 13,68 | 385 |
| 5 | 10,89 | 298 |
| 6 | 8,64 | 235 |
| 7 | 6,93 | 185 |
| 8 | 5,49 | 147 |
| 9 | 4,41 | 114 |
| 10 | 3,49 | 92 |