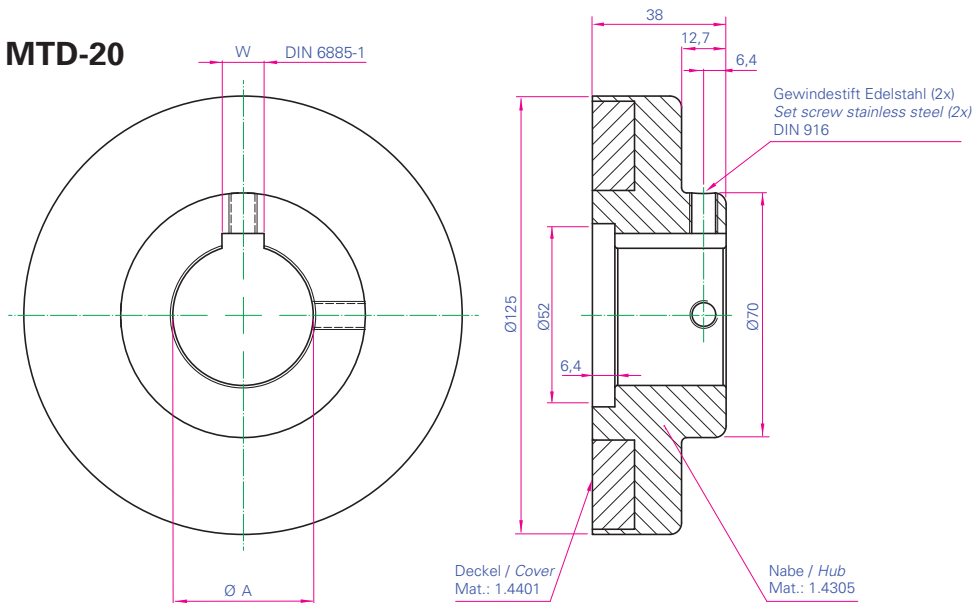


**MTD-20**

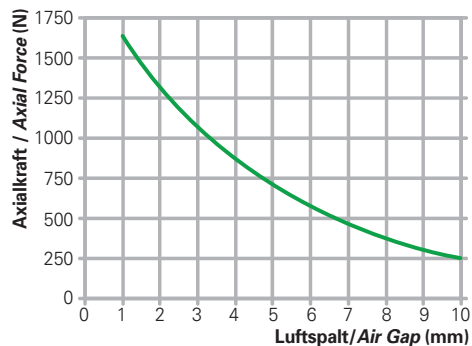
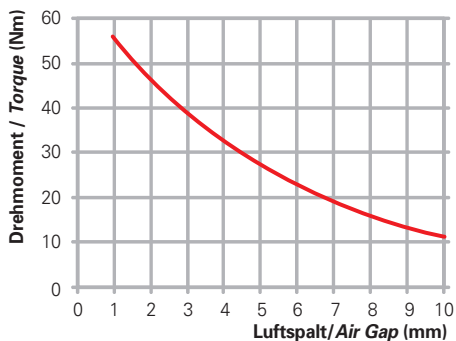


**Technische Daten**  
**Technical Specifications**

Typ Type	Max. Geschw Speed (rpm)	Gewicht pro Hälfte Weight per Hub (kg)
<b>MTD-20</b>	9200	2,2

Typ Type	Bohrung Bore Ø A (mm)	Passfeder Keyway W (mm)	Gewindestift Set Screw
<b>MTD-20-14</b>	14H7	5	M5
<b>MTD-20-16</b>	16H7	5	M5
<b>MTD-20-18</b>	18H7	6	M5
<b>MTD-20-20</b>	20H7	6	M5
<b>MTD-20-22</b>	22H7	6	M5
<b>MTD-20-25</b>	25H7	8	M8
<b>MTD-20-30</b>	30H7	8	M8
<b>MTD-20-35</b>	35H7	10	M8
<b>MTD-20-40</b>	40H7	12	M8

**Leistungsdaten**  
**Performance Data**  
**MTD-20**



Luftspalt Air Gap mm	Drehmoment Torque Nm	Axialkraft Axial Force N
<b>1</b>	54,0	1630
<b>2</b>	46,5	1315
<b>3</b>	39,5	1070
<b>4</b>	33,0	875
<b>5</b>	27,7	718
<b>6</b>	22,8	580
<b>7</b>	19,0	475
<b>8</b>	16,0	370
<b>9</b>	13,0	300
<b>10</b>	11,0	249