

# PowerBlock2+

REGULATED POWER SUPPLY SERIES

**mobac**<sup>®</sup>  
GMBH-KIEL

- > Compact & Cost Effective Design
- > High protection against transients
- > Accurate current output control

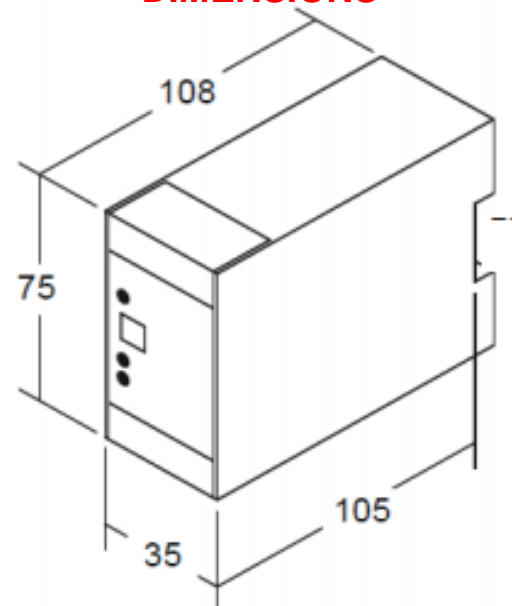
The most comprehensive range of **CURRENT REGULATED Power Supply** units, based on microcontroller technology.



## POWERBLOCK2 +

The universal solution, suitable to the main part of mobac's EMP Brakes and Clutches range

## DIMENSIONS



### Technical Features

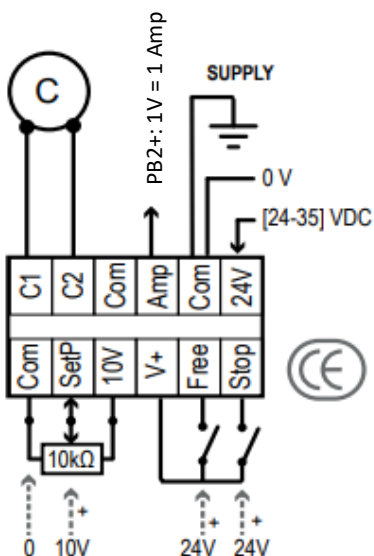
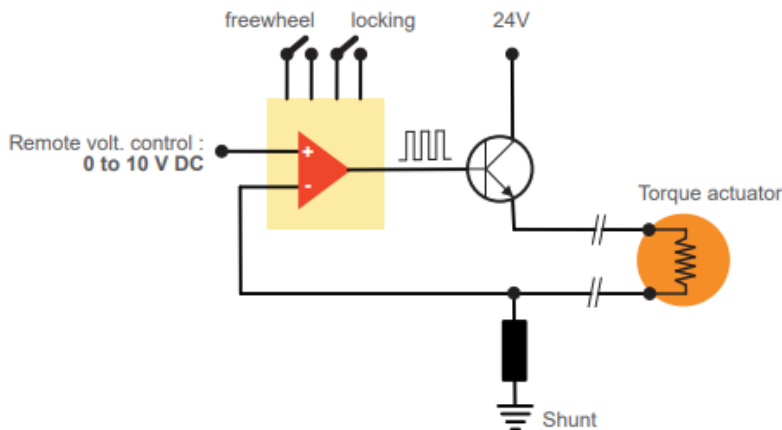
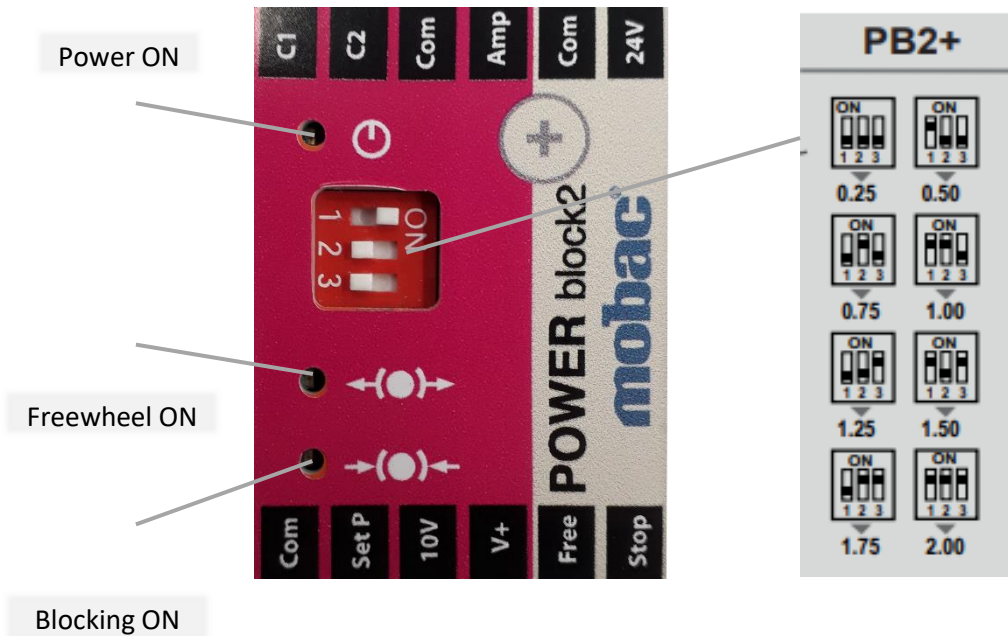
### Pb2+

Input voltage	[V]	24 to 35V DC
Max output current	[A]	2
Output load (resistance)	[ohm]	5 to 60
Max power consumption	[VA]	70
Remote voltage control	[V]	0 to 10 DC
Ambient temperature	[°C]	+10 .... +40
Weight	g	170

# PowerBlock2<sup>+</sup>

REGULATED POWER SUPPLY SERIES

## MAX. OUTPUT CURRENT ADJUSTMENT



### WIRING

<b>C1 /C2</b>	Coupling supply (C)
<b>Com</b>	0 V
<b>Amp</b>	Real time current equivalent voltage
<b>0 V</b>	Equipotential supply point
<b>24 V</b>	24 V Supply
<b>SetP</b>	Set point input (0 -> 10 V DC)
<b>10 V</b>	Set point potentiometer supply (10k Ω)
<b>V+</b>	Logic inputs voltage remote control
<b>Free</b>	Logic input „Freewheel“ mode
<b>Stop</b>	Logic input „Blocking“ mode