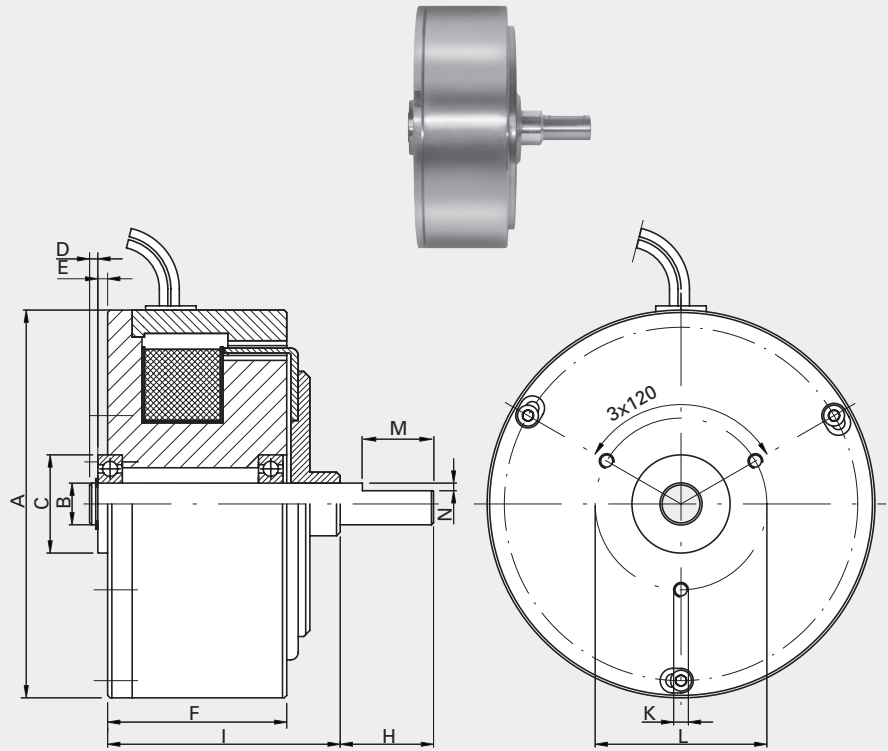


**Stromerregte Hysteresebremsen Standard
mit einseitiger Welle**

*Current Controlled Hysteresis Brakes
Standard with shaft on one side*



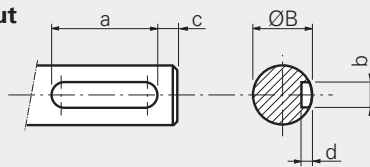
Abmessungen / Dimensions (mm)

Type	ØA	ØB _{h6}	ØC _{h6}	D	E	F	H	I	K	ØL	M	N
HB- 3M-2	31,8	3,00	10,00	1,0	2,0	18,6	8,0	23,6	M2,5 x 4	19,0	—	—
HB- 10M-2	45,7	5,00	14,00	2,0	2,4	20,7	12,7	24,7	M3 x 5	19,0	9,5	0,7
HB- 20M-2	50,0	5,00	14,00	2,0	2,5	23,5	13,0	26,5	M3 x 6	21,0	9,5	0,7
HB- 50M-2	60,0	7,00	17,00	2,0	2,0	39,7	15,0	42,8	M4 x 8	25,0	10,0	0,7
HB- 140M-2	92,0	10,00	22,00	2,5	2,5	39,0	25,0	50,8	M4 x 9	38,0	16,0	1,0
HB- 250M-2	112,5	12,00	28,00	2,5	4,0	50,5	27,0	64,3	M5 x 10	45,0		
HB- 450M-2	137,5	15,00	32,00	2,5	3,5	52,4	27,0	73,0	M5 x 10	60,0		
HB- 750M-2	158,0	17,00	35,00	2,5	4,5	73,0	38,0	95,0	M6 x 12	70,0		
HB-1750M-2	226,0	25,00	52,00	3,5	6,0	76,2	50,0	106,0	M6 x 12	100,0		
HB-3500M-2	226,0	25,00	-	-	-	152,4	50,0	212,0	Grundplatte 216 X 130 (t=12)			

*Passfedernut s.unten
Keyway see below



***Passfedernut
Keyway**



Type	a	b	c	d	ØB _{h6}
HB- 250M-2	20	4,0	3,5	2,5	12
HB- 450M-2	20	5,0	3,5	3,1	15
HB- 750M-2	20	5,0	9,0	3,1	17
HB-1750M-2	25	8,0	12,5	4,0	25
HB-3500M-2	25	8,0	12,5	4,0	25

Technische Daten / Technical Data

Type	Moment bei Arbeitsstrom Torque at working current (Nm)	Arbeitsstrom Working current I 1 (mA)	Widerstand bei Resistance at 25°C±10% (Ohm)	Spannung Voltage V DC bei/at I 1	Drehzahl rpm max. 25°C±10% (min ⁻¹)	mögliche Verlustleistung Possible dissipation (Watt)		Restmoment ohne Strom Residual torque without Current (Nm)	Trägheitsmoment Rotor inertia (kgcm ²)	Gewicht Weight (kg)
						unterbrochen non continuous	kontinuierlich continuous			
HB- 3M-2	0,024	155	171	25	20000	20	5	3,53 x 10 ⁻⁴	0,0043	0,101
HB- 10M-2	0,095	143	180	24	20000	35	8	7,06 x 10 ⁻⁴	0,0435	0,234
HB- 20M-2	0,15	232	120	24	20000	50	12	7,77 x 10 ⁻⁴	0,0458	0,320
HB- 50M-2	0,38	270	95	24	15000	90	23	1,55 x 10 ⁻³	0,1670	0,755
HB- 140M-2	1,2	270	95	24	12000	300	75	5,42 x 10 ⁻³	1,00	1,84
HB- 250M-2	2,1	289	96	24	10000	450	110	7,77 x 10 ⁻³	3,45	3,40
HB- 450M-2	3,6	473	50	24	8000	670	160	1,51 x 10 ⁻²	7,50	5,60
HB- 750M-2	5,8	410	60	23	6000	1000	200	5,00 x 10 ⁻²	14,50	10,10
HB-1750M-2	14,5	535	52	26	6000	2400	350	9,18 x 10 ⁻²	62,50	21,30
HB-3500M-2	29,0	1070	26	26	6000	4800	600	1,36 x 10 ⁻¹	125,00	46,00