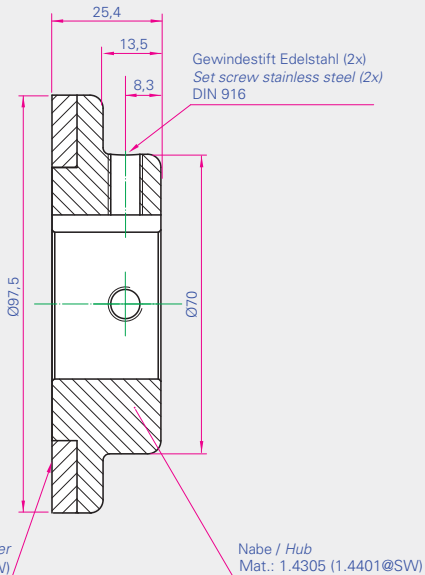
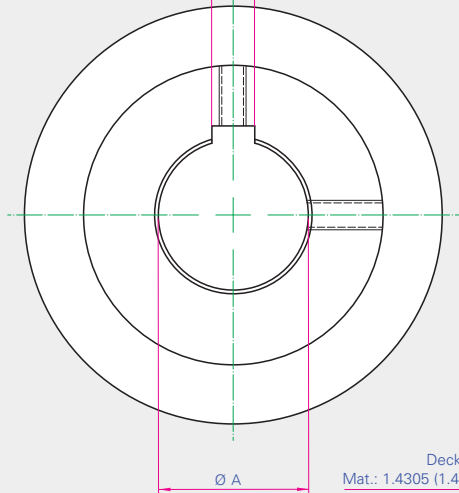


MTD-5

MTD-5-SW



Technische Daten

Technical Specifications

Typ Type	Max. Geschw Speed (rpm)	Gewicht pro Hälfte Weight per Hub (kg)
MTD-5	11000	1,1

Typ Type	Bohrung Bore Ø A (mm)	Passfeder Keyway W (mm)	Gewindestift Set Screw
MTD-5-11	11H7	4	M5
MTD-5-12	12H7	4	M5
MTD-5-14	14H7	5	M5
MTD-5-16	16H7	5	M5
MTD-5-18	18H7	6	M5
MTD-5-20	20H7	6	M5
MTD-5-22	22H7	6	M5
MTD-5-25	25H7	8	M5
MTD-5-30	30H7	8	M5
MTD-5-35	35H7	10	M5