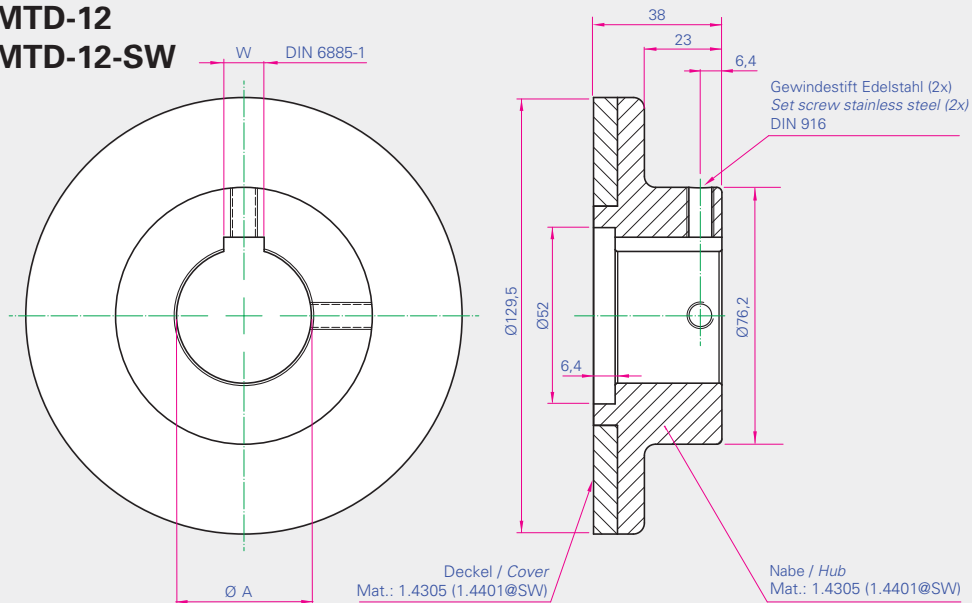


# MTD-12

## MTD-12-SW



### Technische Daten

### Technical Specifications

Typ Type	Max. Geschw Speed (rpm)	Gewicht pro Hälfte Weight per Hub (kg)
<b>MTD-12</b>	9000	2,0

Typ Type	Bohrung Bore $\varnothing A$ (mm)	Passfeder Keyway W (mm)	Gewindestift Set Screw
<b>MTD-12-14</b>	14H7	5	M5
<b>MTD-12-16</b>	16H7	5	M5
<b>MTD-12-18</b>	18H7	6	M5
<b>MTD-12-20</b>	20H7	6	M5
<b>MTD-12-22</b>	22H7	6	M5
<b>MTD-12-25</b>	25H7	8	M8
<b>MTD-12-30</b>	30H7	8	M8
<b>MTD-12-35</b>	35H7	10	M8
<b>MTD-12-40</b>	40H7	12	M8